



G-POD

HIGH OUTPUT SURFACE MOUNT SPEAKER

FEATURES

- ◆ Anti-theft Bracket Option
- ◆ Stainless Steel Hardware
- ◆ 70 Volts and Direct



APPLICATIONS

- ◆ Indoor/Outdoor
- ◆ Retail Outlets
- ◆ Restaurants

* Also available in white.



DESCRIPTION

The G-POD is a completely self-contained coaxial, bass-reflex speaker system. Ideal for indoor or outdoor use, the G-POD is excellent in applications that require background music as well as high quality paging for announcements. This high output package utilizes a unique and effective cooling system known as Air Gap Technology (AGT).

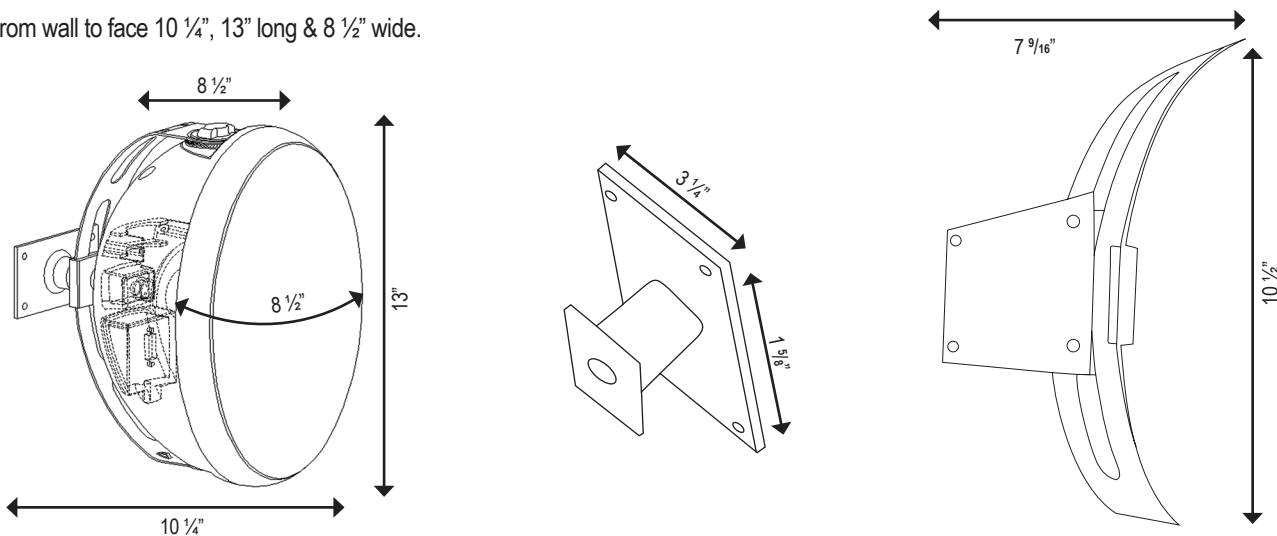
The basket of this little monster is cast aluminum, which sets it above the typical stamped metal basket commonly found in the housing of inferior speakers. A series of precision holes machined in the aluminum basket act as heat transfer points, actively pulling heat away from the gap. This, coupled with the space between the cone and the spider, allows the speaker to maintain maximum performance under extremely demanding conditions.

Consisting of aluminum cone woofers and aluminum high output tweeters, all of the G-Series speakers utilize a built-in, 70-volt transformer that offers a variable tap selection switch and a transformer by-pass for 8-ohm operation. It is selectable by removing the front grill, facilitating changes in impedance during or post installation.

The G-POD is housed in an injection molded ABS cabinet. Wiring terminations are enclosed in a rear compartment utilizing a smart connect plug and removable cover plate creating a further seal of protection around the entire connector. The G-POD boasts an innovative sliding U mounting bracket, which can be moved and locked anywhere on the bracket axis, offering additional flexibility and ideal positioning functionality. Simply genius!

DIMENSIONS

From wall to face 10 ¼", 13" long & 8 ½" wide.



Supplying Dealer

G-POD

HIGH OUTPUT SURFACE MOUNT SPEAKER

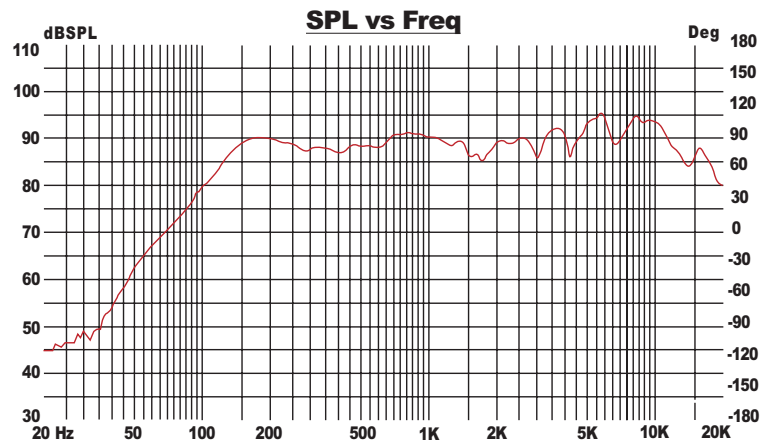


System	
Type	G-Series high output speaker system
Drivers	6" Woofer ¾" Tweeter
Power Taps (70V)	60W, 30W, 15W, 7.5W, 8Ω direct
Power Taps (100V)	30W, 15W, 7.5W, 16Ω direct
Power Handling	85 Watts RMS
Sensitivity 1W 1M	87dB
Frequency Range	80Hz/20kHz ± 10 direct
Nominal Impedance	16Ω 70 Volt
Nominal Dispersion	120° @ 1kHz
Connector	Removable Phoenix Type 12 AWG max.

Transducer Construction	
Woofer Size	6" cone 1" Voice Coil
Surround Material	Rubber
Cone Material	Aluminum
Voice Coil Material	Insulated Copper
Voice Coil Former	Aluminum
Speaker Basket	Cast Aluminum with (AGT)
High Frequency Driver	1 7/8" Flare ¾" Voice Coil
H/F Material	Aluminum Diaphragm

Shipping	
Weight	18 lbs. pair
Carton Size	21 ¼" x 14 ½" x 10 ¾" pair
Shipped	In pair with mounting hardware
Package Dimensions	540 mm L x 365 mm W x 270 mm H
Shipping Weight	18.188 lbs.

Enclosure Construction	
Frame and Flare	Aluminum
Baffle Material	Powder Coat painted white/black Aluminum
Housing	Injected ABS



Support Hardware	
T-Bar & Split Ring	Included with each pair
Mounting	G2 hanging kit (optional)
Speed Saw	HA4568 - Optional circle cutter, cuts perfect holes for 4" to 8" speakers
Input Plate	G8IP - Input cover plate (included), additional input plates (sold separately), pre-installed to conduit, making installation fast and simple

ARCHITECTS SPECIFICATIONS

The 70 Volt Loudspeaker system will consist of a 6" low frequency driver and a coaxially mounted ¾" high frequency Tweeter having a frequency response of 80Hz - 20kHz ±10 and a nominal dispersion of 120° 70 Volt tap selections as follows 60W, 30W, 15W, 7.5W plus direct 16Ω. Products not having a direct selection on the tap selector will not be accepted. Tap selection shall be done by a rotary switch front mounted, located behind the grill and out of sight. The termination connector shall be a removable phoenix type. The enclosure shall be an injected ABS base reflex cabinet that is available in both White and Black.

This speaker system must include all mounting hardware including an anti-theft option. The mounting bracket must be able to be adjusted in both X and Y axis points having positive stops at 75°, 55° and 45°. Products that just supply a simple U-bracket will not be acceptable. The system must have an accompanying sister product that can be ceiling flush mounted utilizing the same coaxial driver pack. The loudspeaker system shall be the Enforcer G-pod model surface mount speaker system having a flush mount version in ceiling speaker being the Enforcer G6 model.

Supplying Dealer