



G8 SUB

HIGH OUTPUT CEILING SPEAKERS

FEATURES

- ◆ Adjustable cross-over points
- ◆ Aluminum mounting dogs
- ◆ 100/70 Volt Operation or 8Ω direct
- ◆ AGT cooling



DESCRIPTION

Enforcer G Series Loudspeaker is a completely self-contained, bass-reflex speaker system. This high output package utilizes a unique and effective cooling system known as Air Gap Technology (AGT).

The basket of this ceiling subwoofer is cast aluminum, which sets it above the typical, stamped metal basket commonly found in the housing of inferior speakers. A series of precision holes machined in the aluminum basket act as heat transfer points, actively pulling heat from the gap. This, coupled with the space between the cone and the spider, allows the speaker to maintain maximum performance even under extremely demanding conditions.

Consisting of an aluminum cone woofer, all of the G-Series speakers utilize a built-in, 70-volt transformer that offers a variable tap selection switch and a transformer by-pass for 8-ohm operation. It is selectable by removing the front grill, facilitating changes in impedance during or post installation.

The G8 SUB is enclosed in an all-aluminum bezel assembly with a fully mounted, metal sealed back can, with no plastic or ABS parts. The enclosure has removable non-fiberglass damping material inside and white powder coat finish on the outside. The G8 SUB ships complete with t-bar supports. Wiring terminations are enclosed in a rear compartment utilizing a smart connect plug, wire restraint, and removable cover plate creating a further seal of protection around the entire connector.

When flush mounting, the entire installation can be done from below the ceiling grid. The split ring tile support can easily be pasted through the hole up and into place. The G8 SUB speakers are then pushed up into the mounting hole and the four machine screws found under the grill are used to operate the four aluminum tie down dogs. This simple installation process is an additional feature of the G-series speakers. If a single hang point is preferred, there is optional support hardware package offered. The GS2 free hanging system suspends the speaker from a single point.

Also capable of free space installations where architecture is opened and flush mounting is not an option, the G8 SUB is equipped with four hang points. Because the housing is durable and attractive white powder coat, either installation option is aesthetically pleasing.

Whether installed flush or as a free hanging unit, this product promotes consistency and ease when ordering and installing. To make the G8 SUB even more contactor-friendly, there is an option of ordering the back plate on its own (G8IP input plate for G8 SUB). These can be installed along with the connector. The G8 SUB speaker can then be easily installed at a later date.

Supplying Dealer

G8 SUB

HIGH OUTPUT CEILING SPEAKERS



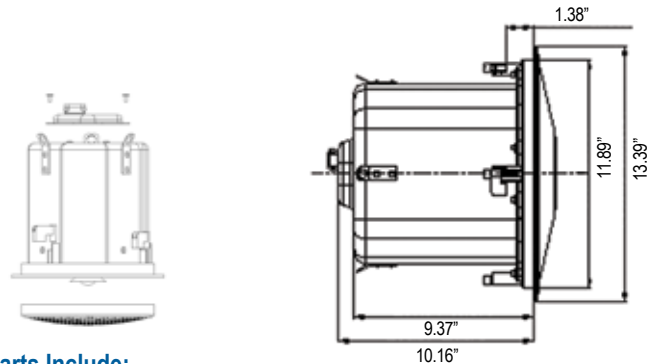
SPECIFICATIONS

System	
Type	G-Series High Output Ceiling Woofer
Drivers	8" Woofer
Power Taps (70V)	7.5W, 15W, 30W, 60W, 8Ω direct
Power Taps (100V)	15W, 30W, 60W, 8Ω direct
Power Handling Direct	100 Watts RMS
Sensitivity (1W/1M)	80dB
Frequency Range	20Hz/250Hz ± 10dB
Nominal Impedance	8Ω 70 Volt
Crossover Adjustable	90/125/250
Connector	Removable Pheonix up to 12 AWG wire size
Finish	White Powder coat paint

Transducer Construction	
Woofer Size	8" Cone
Surround Material	Rubber
Cone Material	Aluminum
Voice Coil Material	Insulated Copper
Voice Coil Former	Aluminum
Speaker Basket	Cast Aluminum

Enclosure Construction	
Baffle Material	Fine mesh steel screen with removable cloth insert (not visible)
Bezel & Tie Down Dogs	Aluminum
Shipped	Metal

Shipping	
Weight	44 lbs.
Carton Size	33.49"L x 14.17"W x 16.93"H
Shipped	In Pairs



Parts Include:

- 2 G8 Sub Speakers,
- 2 Speaker Grills, 2 Input Plates, 2 Plug-in Termination Connectors, 4 T-Bars,
- 2 Split Ring Supports,
- 2 Paint Protectors,
- 1 Manual, 1 Warranty Card



Support Hardware	
T-Bar & Split Ring	Included with each pair
Drywall Rough In	EDR502 - Optional rough in plate spans 16" centers
Free Space Hang Wire	GS2 - Optional fly cable for free space installations
Speed Saw	HA4568 - Optional circle cutter, cuts perfect holes for 4" to 8" speakers
input Plate	G4IP - Optional additional input plates, pre-installed to conduit, making installation fast and simple



T-Bar



Split Ring



Drywall Rough in EDRG8



Speed Saw HA4568



Input Plate G8IP



Free Hang System GS2

Supplying Dealer

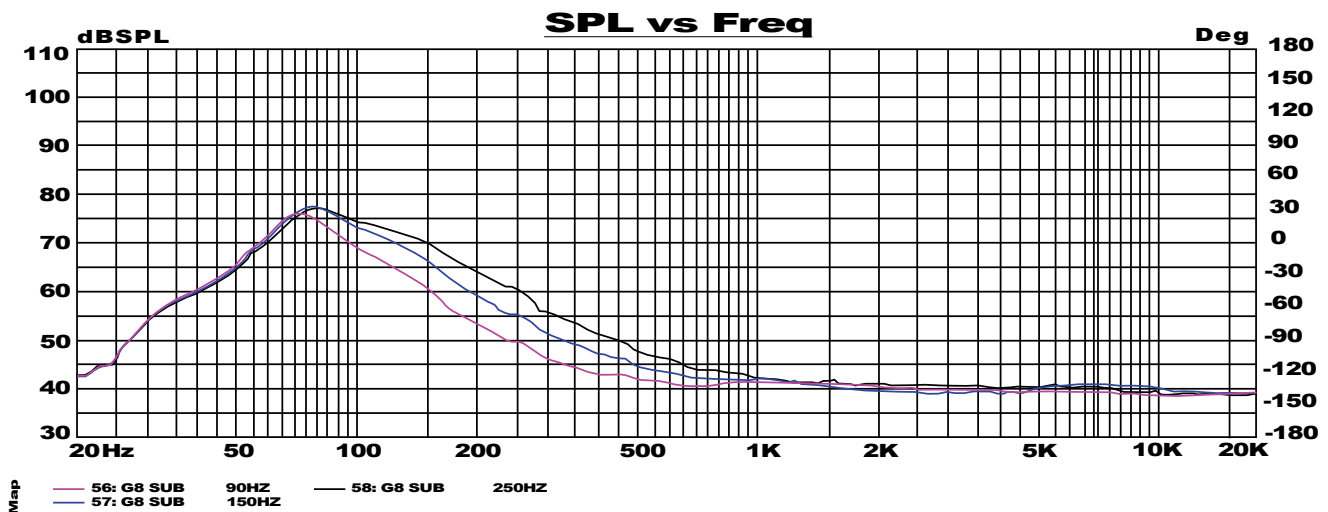
TO ORDER CALL: 1-800-565-3586 (EASTERN CANADA) OR 1-800-667-7670 (WESTERN CANADA)

High Output Ceiling Speakers G8Sub 12/05



G8 SUB

HIGH OUTPUT CEILING SPEAKERS



ARCHITECTS SPECIFICATIONS

The loudspeaker should be an in-ceiling, flush mounting design. This system is a self-contained speaker system complete with bezel, grill, back box, crossover, 70 Volt transformer and support hardware for drop tile ceilings. It requires no assembly and can be installed completely from below the ceiling grid (blind mount). It should consist of an 8" low frequency driver utilizing AGT for cooling of voice and coil and maximum heat dissipation. This system has a frequency response of 20Hz - 250Hz. The subwoofer should have an adjustable crossover point @ 90Hz, 150KHz and 250KHz, selectable by a rotary switch located behind the grill. The 70 Volt tap selections are 7.5W, 15W, 30W 60W and direct, which has a nominal impedance of 8 ohms. Products without a direct selection on the tap selector are unacceptable. Tap selection is accomplished through a rotary front mounted switch located behind the grill and out of sight. The termination connector shall be a removable phoenix.

Construction of this system shall be as follows:

Bezel: Aluminum
 Grill: Steel
 Back Can: Steel

The entire speaker is powder coated in white.

Having the following dimensions:

Overall depth should not exceed 13.5"

Overall diameter should not exceed 13.5" with a cutout dimension of 11.6"

The speaker system must have a removable termination cover that can be preinstalled on site with just the wire pulled in, allowing the speakers to be installed at a later date. The loudspeaker system shall be an Enforcer G8 SUB loudspeaker system.

Supplying Dealer